

Product Highlights

Environmental Friendly

- ★Electric drive, green and environmentally friendly
- ★Zero emissions, meeting the strict requirements of indoor and outdoor emissions on construction sites

Intelligent Control For worry Free And Effortless

- ★The product is controlled by a proportional handle, with more operations controlled by electro-hydraulic proportional control, featuring smooth and precise action and stronger micro movement.
- ★The product comes standard with an IOT system, paired with an intelligent large screen, allowing users to easily control device status anytime, anywhere, and achieve easy device management.

Low Maintenance Costs

- ★Compared to diesel power, battery maintenance costs are lower, reducing overall operating costs.

Safe And Reliable, Good Passability Performance

- ★Our product is equipped with floating bridge, which can ensure real-time four-wheel landing and easily handle uneven road conditions, making it safer and more reliable
- ★The product features maximum 5° tilt angle, combined with floating bridge, achieving body posture adjustment



Standard Features

Hydraulic leveling platform	Over load Sensor	Tilt alarm
180° hydraulic rotation platform	5-inch super-scale colour screen	4 wheel brake
Rear inspect and driving confirm	Diagnosis system	Emergency brake release
Three joysticks gradual proportional control	Emergency stop system	4 wheel drive
Horn and buzzer safety warnings	Emergency lowering system	Foam filled tire
Flash light	Maximum tilt angle of 5°	Foot switch

Options Features

Platform swing gate	Hydraulic oil for extremely cold areas	GPS
Platform alternate railing	Pipeline for extremely cold areas	
Hydraulic oil cooler	AC power source	

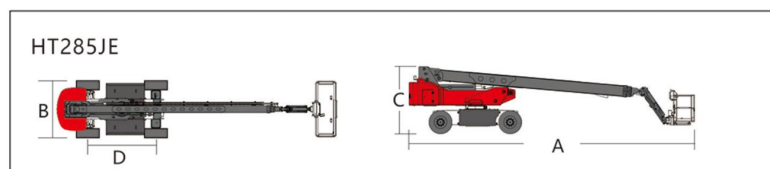
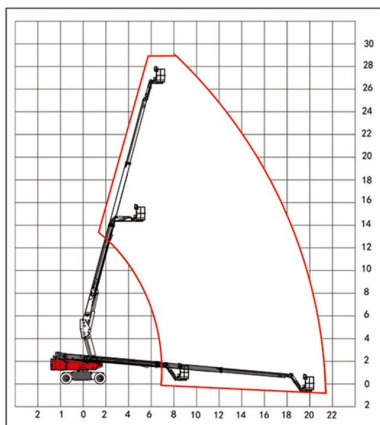


HT SERIES

HT285JE

SELF-PROPELLED TELESCOPIC BOOMS

Model	HT285JE	
Dimension	Metric	Imperial
Max. Working Height	28.5m	93ft 6in
Max. Platform Height	26.5m	86ft 11in
Max. Outreach	21m	68ft 11in
Maximum horizontal work amplitude	21.6m	70ft 10in
A Length (stowed)	12.05m	39ft 6in
B Width (stowed)	2.5m	8ft 2in
C Height (stowed)	2.8m	9ft 2in
D Wheelbase	3.0m	9ft 10in
Ground Clearance	0.33m	1ft 1in
Platform Size ((L×W×H)	2.44m*0.9m*1.1m	8ft×2ft11in×3ft7in
Performance		
Lift Capacity (Restricted/Unrestricted)	454/300kg	999/661lb
Max. Load number (Restricted/Unrestricted)	3 pers/2 pers	3 pers/2 pers
Drive Speed (Stowed)	5.1km/h	3.2mph
Drive Speed (Raised)	1.1km/h	0.7mph
Gradeability (4WD)	45%	45%
Turntable Rotation (Angle/Continuity)	360°continuous	360°continuous
Platform Rotation	180 °	180 °
Max. Tilt Angle(Front to Back/ Side to Side)	5°/3°	5°/3°
Turing Radius (Inside/Outside)	3.6/6.88m	11ft10in/22ft7in
Turntable Tailswing	1.8m	5ft 11in
Max. Lateral Force (Restricted/Unrestricted)	400N	89.92 lbf
Max. Wind Speed	12.5m/s	41ft/s
Tire Specification/ Type	15-625(foam filled tire)	15-625(foam filled tire)
Power		
Drive wheels number x Steering wheels number	4×2	4×2
Hydraulic Tank Capacity	140L	37gal
Battery Specifications	80V460AH (Lithium battery)	80V460AH (Lithium battery)
Charger (Input Voltage/Output Current)	80V80A	80V80A
Weight		
Total Weight	18350kg	40455lb



The images in this manual are for illustration only, and all copyrights belong to our company. Due to continuous technological updates, product parameters may change without prior notice.

