

**Product Highlights**

- ★Electric drive, green and environmentally friendly
- ★Zero emissions, meeting the strict requirements of indoor and outdoor emissions on construction sites

**Compact structure**

- ★The entire series adopts compact design, while also considering high maintenance, and has stronger ability to operate in narrow and complex working conditions.

**Excellent Performance**

- ★Equipped with a maximum working angle of 3 degrees as standard, the entire series have stronger adaptability to the working range and site.
- ★230kg load capacity, adaptable to multiple scenarios and working conditions

**Low maintenance costs**

- ★Compared to diesel power, battery maintenance costs are lower, reducing overall operating costs.

**Electric Drive**

- ★Low cost, low noise, low maintenance, green environmental friendly and energy conservation



**Standard Features**

Hydraulic leveling platform	Mechanical release of driving brake	Horn and buzzer safety warnings
Automotive grade full tube sheath protection	Platform rotation	Maximum tilt angle of 3°
Tilt alarm	Over load sensor	Flash light
Emergency stop system	Emergency lowering system	Diagnosis system

**Options Features**

AC wiring to platform	T-BOX (GPS)
Non-marking Solid tires	

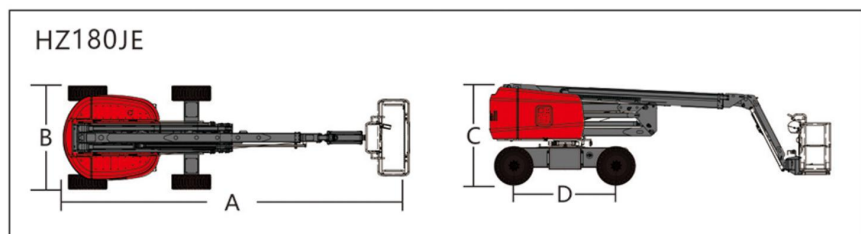
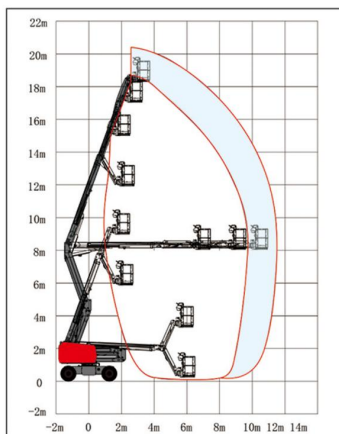


# HZ SERIES

## HZ180JE

### SELF-PROPELLED ARTICULATED BOOM

Model	HZ180JE	
Dimension	Metric	Imperial
Max. Working Height	17.8m	58ft 5in
Max. Platform Height	16.1m	52ft 10in
Max. Outreach	9.44m	30ft 12in
Max. Up and Over Clearance	8.077m	26ft 6in
A Length (stowed)	6.680m	21ft 11in
B Width (stowed)	1.804m	5ft 11in
C Height (stowed)	2.152m	7ft 1in
D Wheelbase	1.89m	6ft 2in
Ground Clearance	0.179m	0ft 7in
Platform Size ((L×W×H)	1.75m×0.76m×1.1m	5ft9in×2ft6in×3ft7in
Performance		
Lift Capacity	230kg	507 lb
Turntable Rotation	360°non-continuous	360°non-continuous
Platform Rotation	180°	180°
Drive Speed (Stowed)	4.8km/h	3 mph
Drive Speed (Raised)	1km/h	0.62mph
Gradeability	30%	30%
Turing Radius (Inside)	1.15m	3ft 9in
Turing Radius (Outside)	/	/
Turntable Tailswing	0	0
Max. Tilt Angle(Front to Back/ Side to Side)	5°/3°	5°/3°
Drive wheels number x Steering wheels number	2×2	2×2
Tire Specification/ Type	250-15/7.0	250-15/7.0
Power		
Battery Specifications	DC48/320Ah	DC48/320Ah
Control Voltage	DC12V	DC12V
Hydraulic Tank Capacity	42L	11 gal
Weight		
Total Weight	7544kg	16632 lb



The images in this manual are for illustration only, and all copyrights belong to our company. Due to continuous technological updates, product parameters may change without prior notice.



Mankell® HZ180JE